

CaBano

#28304

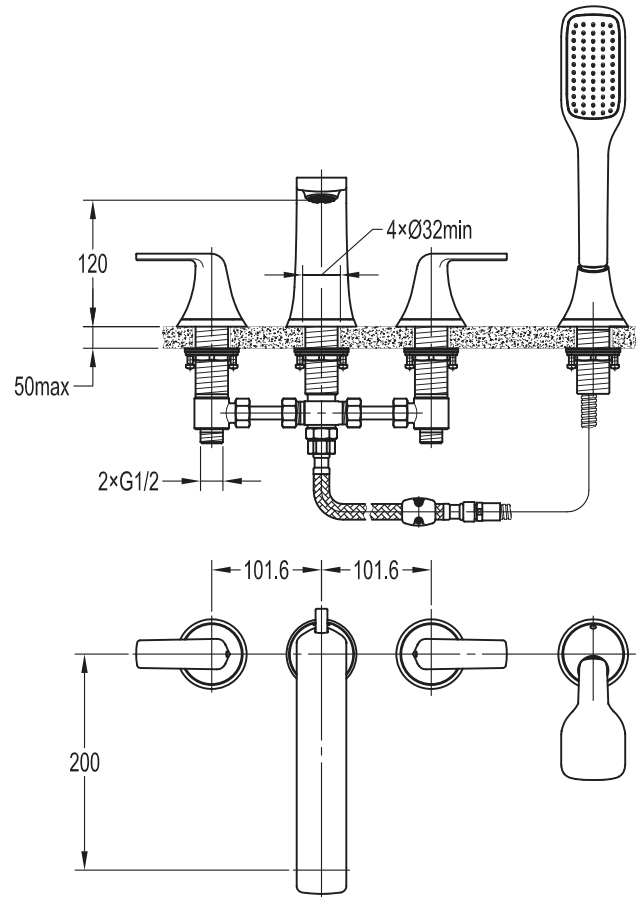
4 Piece deck mount tub filler with hand shower

INSTALLATION GUIDE



Last revision: October 23rd

III. Installation Diagram



I. Installation Notice

1. Please lay water pipes in accordance with this manual.
2. Floor drain should be installed on the site.
3. The product should be installed only after the completion of house interior decoration in case the paint or other chemicals erode the mixer surface.
4. Clean pipes to get rid of mud, sand or other debris blocked in pipes before installation.
5. Check whether the threads can be matched. Otherwise, installing forcefully will damage the components.
6. After installation, check all the joints to make sure they are firmly connected. Run the water. Turn on and off repeatedly to ensure no leaking problem. After that, the product is ready for normal use.
7. Hand the manual to users.

II. Operation Notice

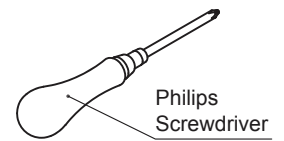
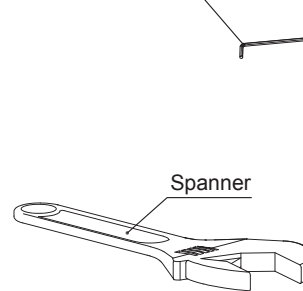
1. The product is used under water pressure 0.05~1.0 MPa, water temperature 4~90°C.
2. Do not hang heavy things on the product.
3. Remember to turn off the mixer if no water comes out of it (Especially when nobody in the house or during the decoration period).
4. Clean the surface of the product regularly to keep it glossy. Note: Please do not use inappropriate tools such as sharp brushes, rough sponges, scouring pads or corrosive detergent. And it is not recommended to use the detergent sold in the market, because its formula changes frequently. Please clean the product with wet cloth and soapy water after usage. Then rinse the soap off with clean water and dry with a soft cotton cloth.
5. When indoor temperature drops below 0°C, take necessary measures (Keep the product warm, close windows) to prevent the product from frost cracking (Especially when windows open for air ventilation while nobody in the house).
6. Adjust the temperature before use to avoid scald.
7. Do not disassemble the product without help from the professionals.

IV. Installation Steps(Fig.1-20) : * The installation diagram is only for reference. The product is subject to the real object.

1

Prepare and check the following tools.

S2.5 Wrench (supplied)

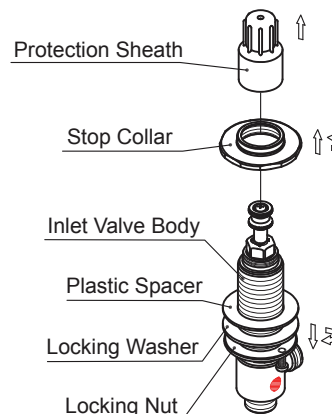


Wrench (supplied)

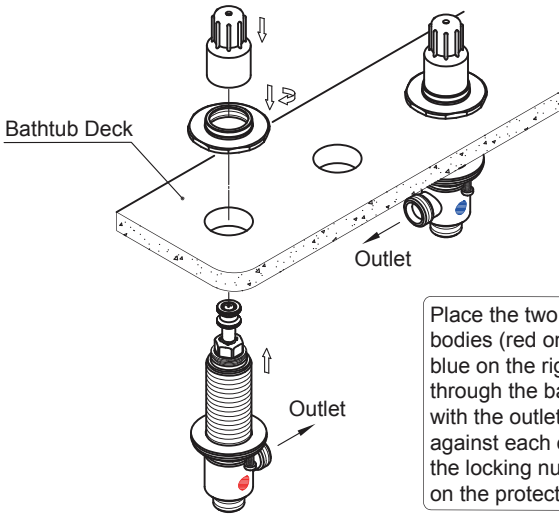


2

Remove the protection sheath off the two inlet valve bodies. Take off the stop collar and screw off the locking nuts to the bottom.

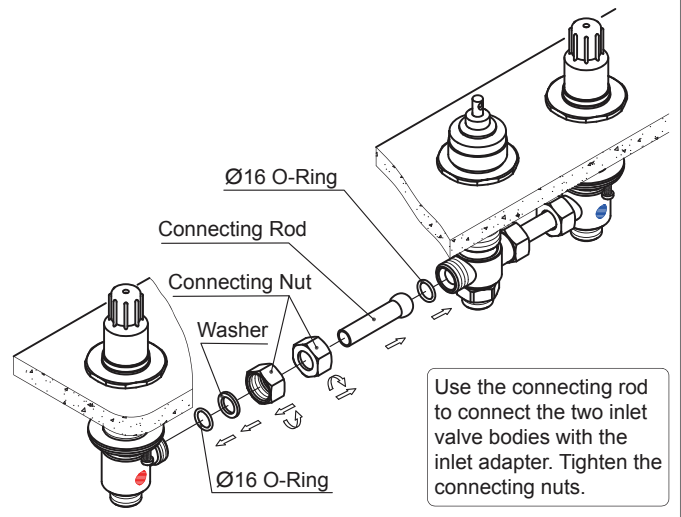


3



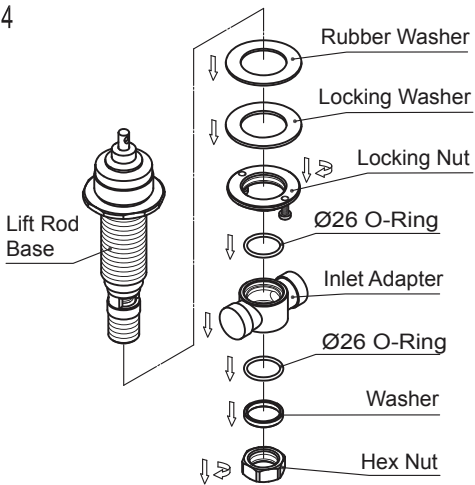
Place the two inlet valve bodies (red on the left and blue on the right) upward through the bathtub deck with the outlet holes facing against each other. Tighten the locking nuts and put on the protection sheath.

6



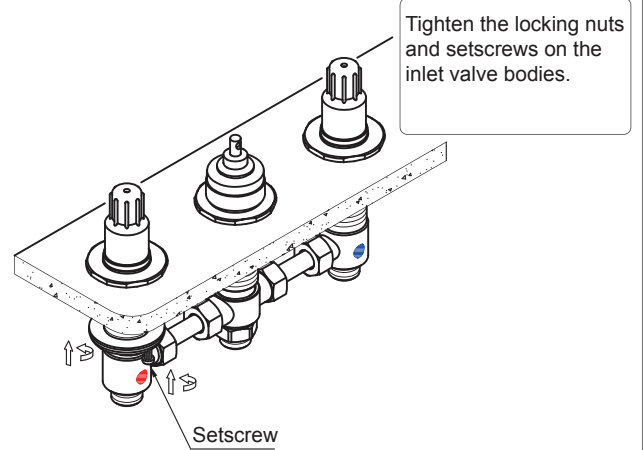
Use the connecting rod to connect the two inlet valve bodies with the inlet adapter. Tighten the connecting nuts.

4



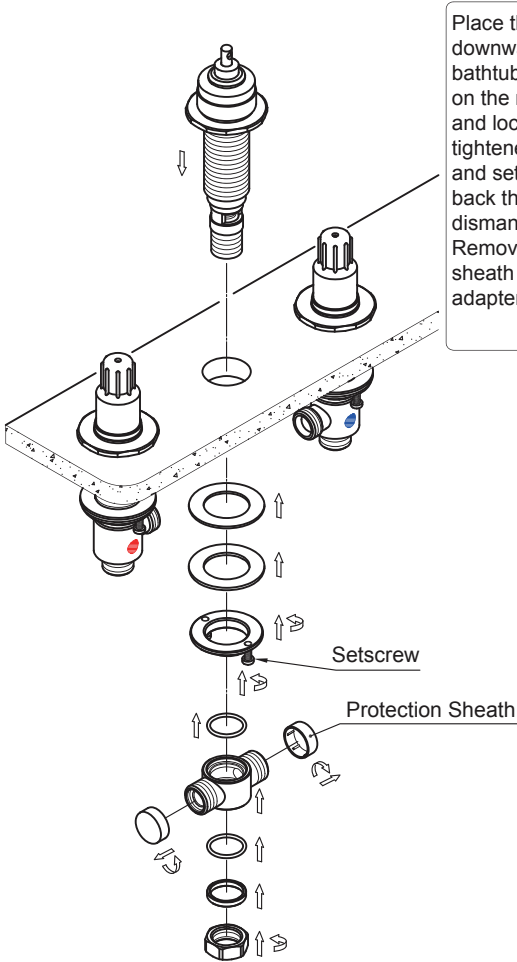
Take off the following from the lift rod base accordingly: the hex nut, washer, Ø26 O-Ring, inlet adapter, locking nut, locking washer and rubber washer.

7



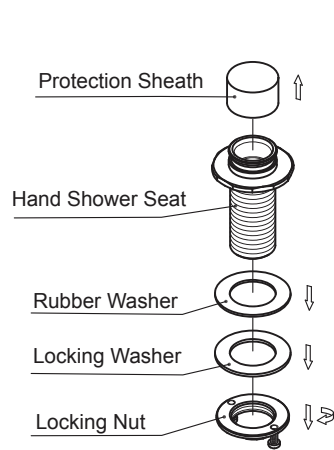
Tighten the locking nuts and setscrews on the inlet valve bodies.

5



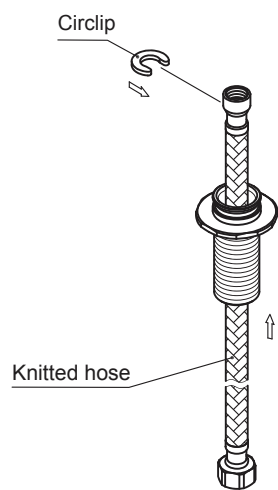
Place the lift rod base downward through the bathtub deck. Then put on the rubber washer and locking washer, tightened by locking nut and setscrew. Then put back the parts that were dismantled before. Remove the protection sheath from the inlet adapter.

8



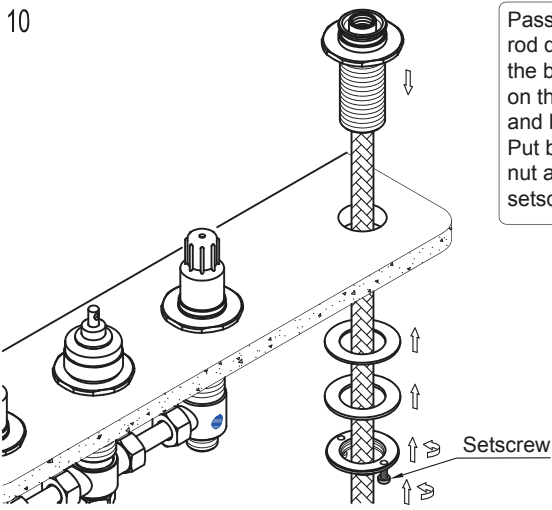
Take off the locking nut, locking washer, rubber washer and protection sheath from the hand shower seat.

9



Take the circlip off the knitted hose. Put the smaller end of the knitted hose upward through the hand shower seat and put back the circlip.

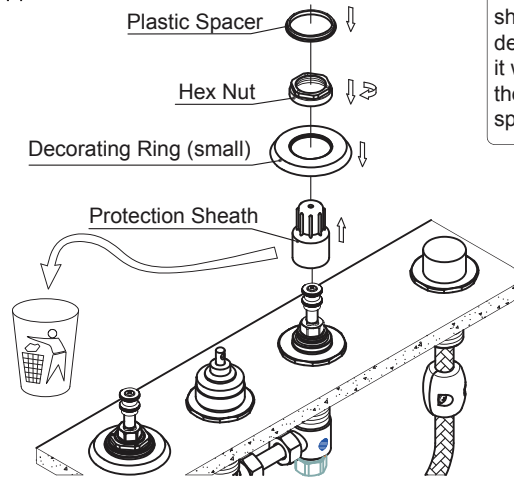
10



Pass the connecting rod downward through the bathtub deck. Put on the rubber washer and locking washer. Put back the locking nut and tighten it with setscrew.

Setscrew

14

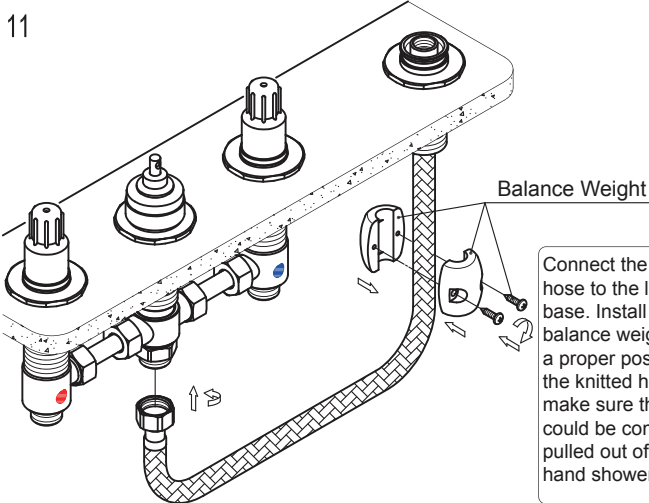


Plastic Spacer
Hex Nut
Decorating Ring (small)

Protection Sheath

Remove the protection sheath and put on the decorating ring. Tighten it with the hex nut and then put on the plastic spacer.

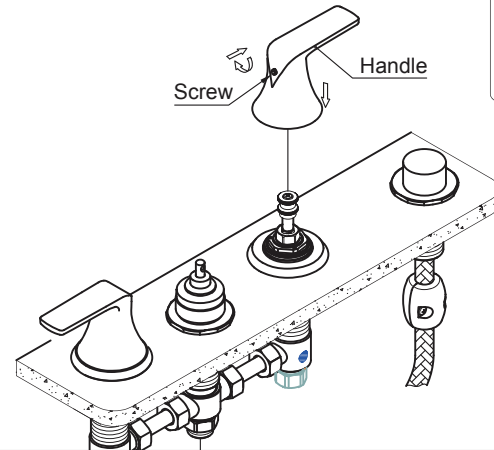
11



Balance Weight

Connect the knitted hose to the lift rod base. Install the balance weight at a proper position in the knitted hose and make sure the hose could be completely pulled out of the hand shower seat.

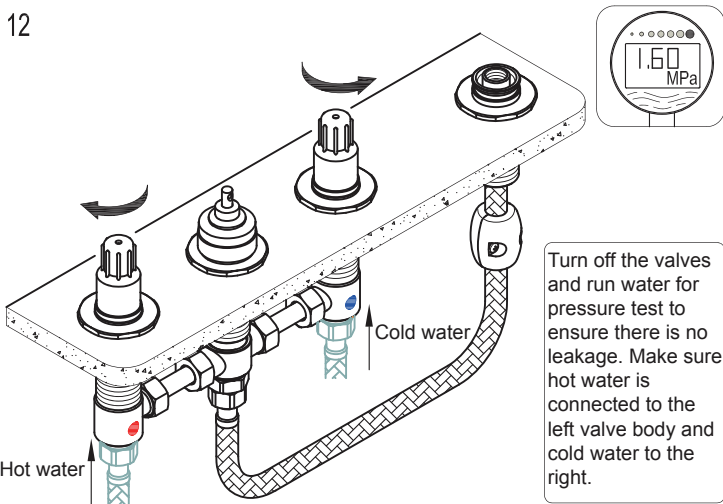
15



Screw Handle

Install the handles (attention to the red mark on the left and blue on the right) and tighten the screws on the handles.

12



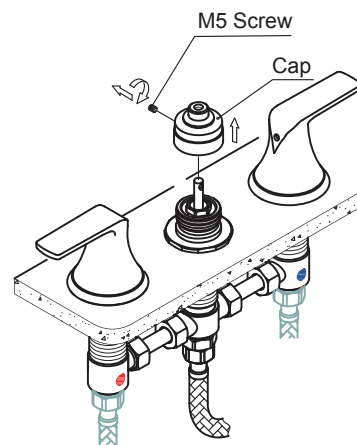
Hot water

Cold water



Turn off the valves and run water for pressure test to ensure there is no leakage. Make sure hot water is connected to the left valve body and cold water to the right.

16

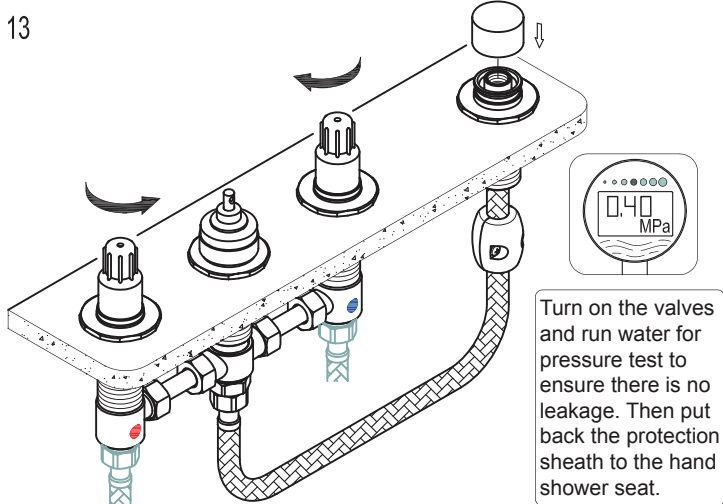


M5 Screw

Cap

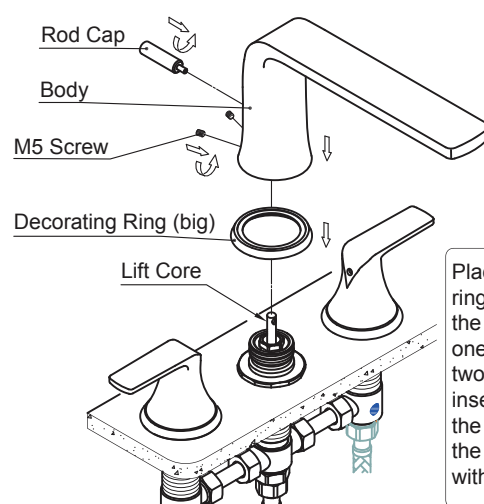
Loosen the M5 screw and take off the cap.

13



Turn on the valves and run water for pressure test to ensure there is no leakage. Then put back the protection sheath to the hand shower seat.

17



Rod Cap

Body

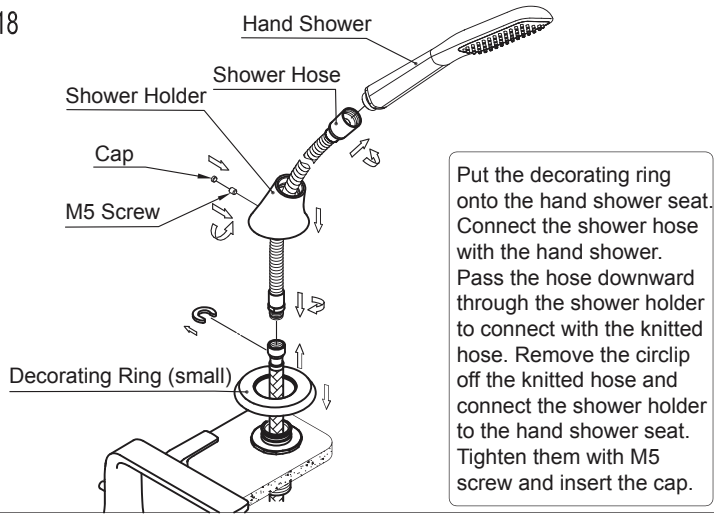
M5 Screw

Decorating Ring (big)

Lift Core

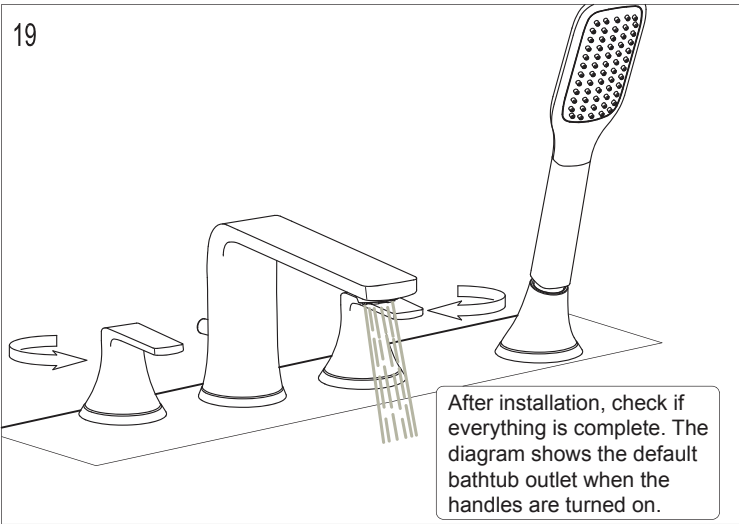
Place the decorating ring and the body onto the lift rod base one by one. Tighten them with two M5 screws. Then insert the rod cap into the slot in the back of the body to connect with the lift core.

18



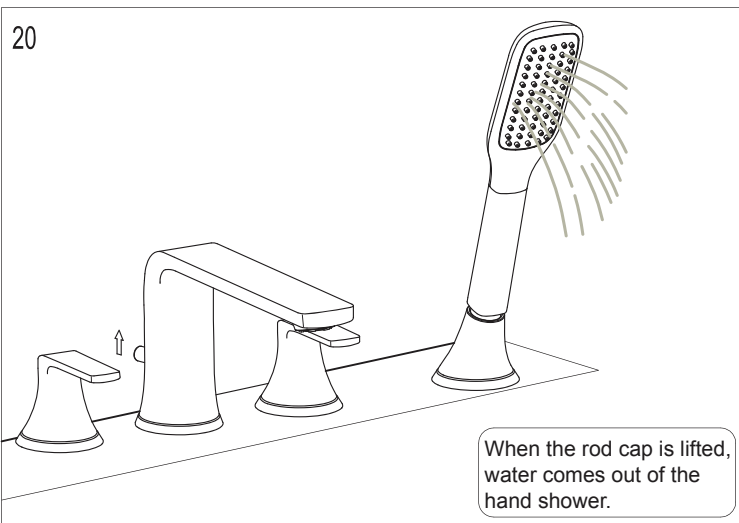
Put the decorating ring onto the hand shower seat. Connect the shower hose with the hand shower. Pass the hose downward through the shower holder to connect with the knitted hose. Remove the circlip off the knitted hose and connect the shower holder to the hand shower seat. Tighten them with M5 screw and insert the cap.

19



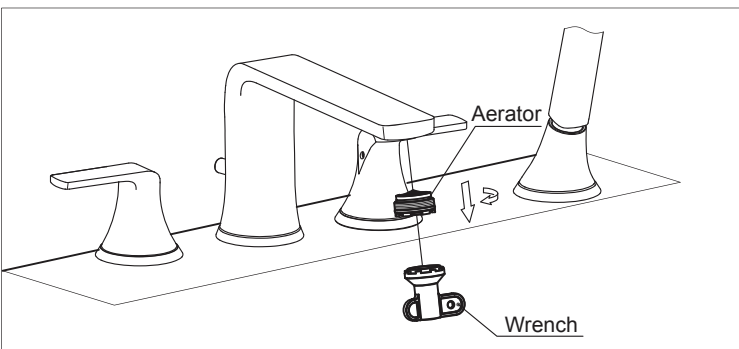
After installation, check if everything is complete. The diagram shows the default bathtub outlet when the handles are turned on.

20



When the rod cap is lifted, water comes out of the hand shower.

V. Maintenance



After a period of usage, if the volume lessens, it might be due to debris from bad quality water blocking the aerator. Use the supplied wrench to take off the aerator and clean its filter with clean water. Then install it back.